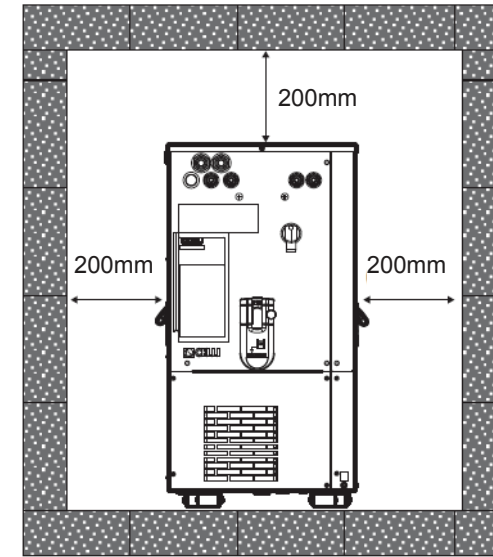
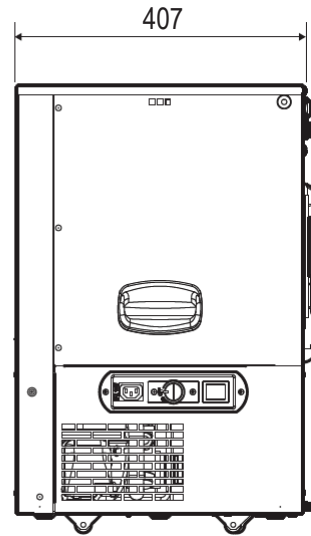
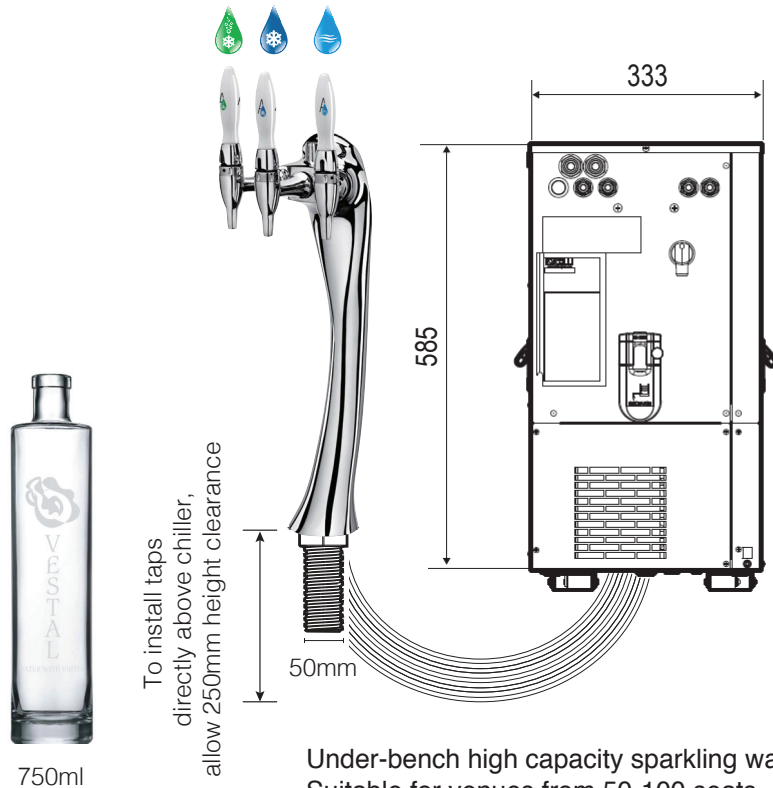


Vestal V90 Specification Sheet

Under bench

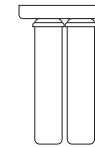
Front View



Under-bench high capacity sparkling water and beverage system.
 Suitable for venues from 50-100 seats.
 Can be supplied to dispense:

- Filtered chilled still and sparkling water
- Up to 3 additional beverages (max 2 beer)

FILTRATION OPTION



Cafe Twin
 400mm (H)
 250mm (W)
 150mm (D)

- Single Sub Micron high capacity filter (90,000 litres)
- Bespoke filtration available on request

NOTES

- Chiller box requires a 200mm air gap all round. For tight spaces, optional auxiliary fans are available.
- A potable cold water supply and 10amp 240V GPO (on a dedicated circuit) must be within 1 metre of the chiller box.
- CO₂ cylinders are not supplied by Vestal and must be obtained separately, minimum 6kg or 10kg Food Grade CO₂.

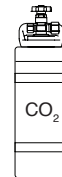
Technical Data

Power: 230V - 50Hz 10amp
 Chilling Capacity: 90 litres per hour



AU/NZ Watermark Certified

Note: if system is to be installed in an enclosed cupboard 60-80% of the door needs to be ventilated. If this is not possible a minimum of 30% must be ventilated plus an auxiliary fan installed.



• CO₂ supply / bottle (10kg)
 750mm X 220mm

Contact Details Vestal Water Pty Ltd

1800 VESTAL Email: info@vestalwater.com
 1800 837 825 Website: www.vestalwater.com

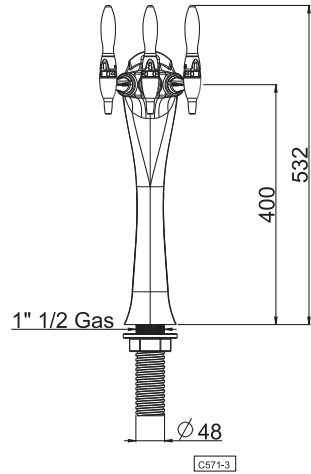
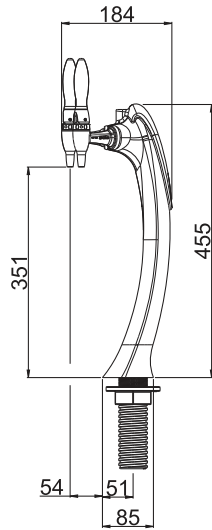
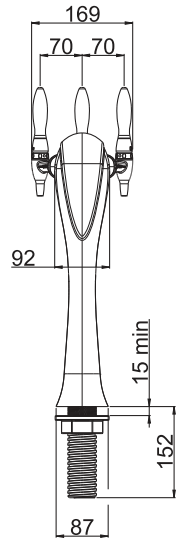


Vestal V90 Specification Sheet

Gemma Font and Taps

(SC4 taps also available with font)

1 2 3



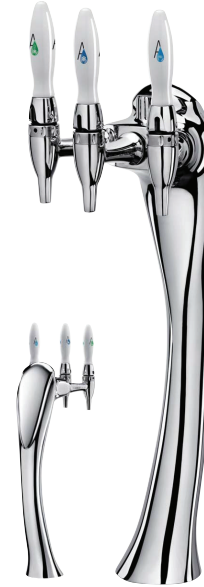
Still water at ambient temperature



Chilled still water



Chilled sparkling water



Custom wooden tap handle selector:



Tas Oak

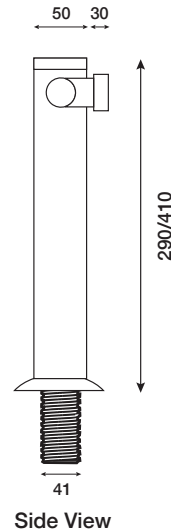
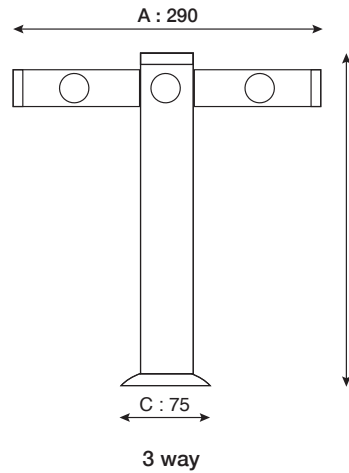
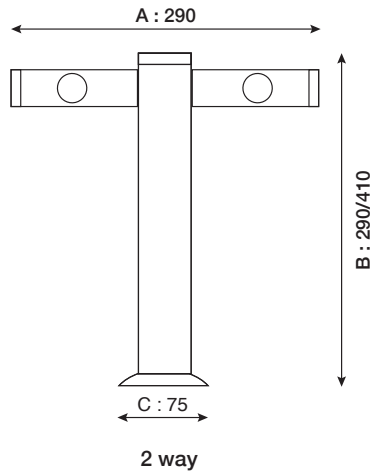


Blackheart Sassafras



Tasmanian Blackwood

T-Font



* Up to 6-way fonts available on request

4 way

| |
|-------------|
| A : 405 |
| B : 290/410 |
| C : 75 |

5 way

| |
|-------------|
| A : 520 |
| B : 290/410 |
| C : 75 |

6 way

| |
|-------------|
| A : 635 |
| B : 290/410 |
| C : 75 |

T Fonts Standard Colour Options*:



Chrome



Antique Bronze



Brass

* Custom colours are available upon request.

Contact Details Vestal Water Pty Ltd

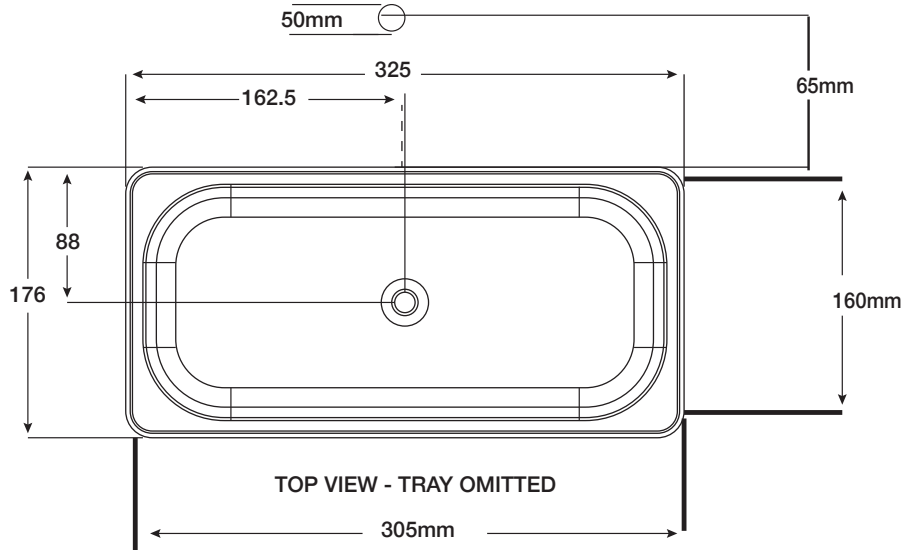
1800 VESTAL Email: info@vestalwater.com
1800 837 825 Website: www.vestalwater.com



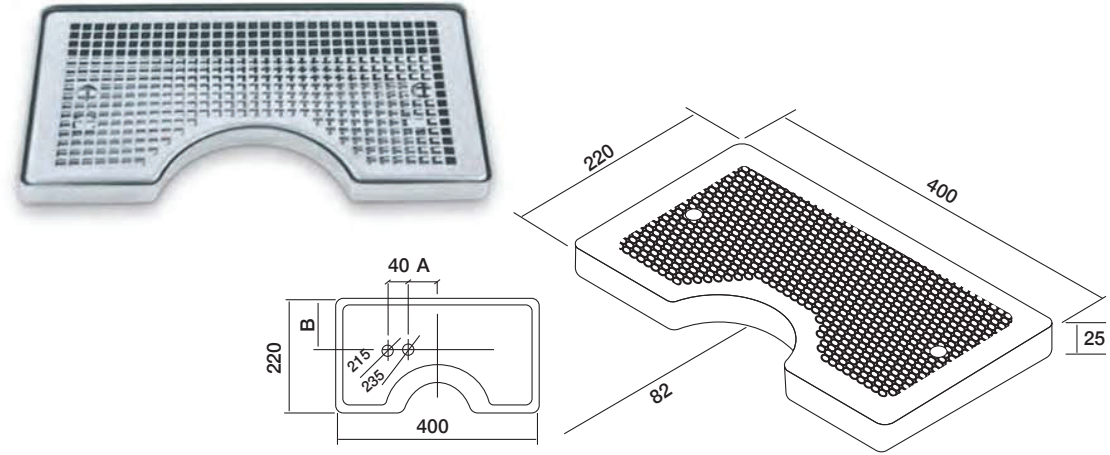
Vestal V90 Specification Sheet

Drip Tray Options

1. Raised plumbed drip tray - mesh

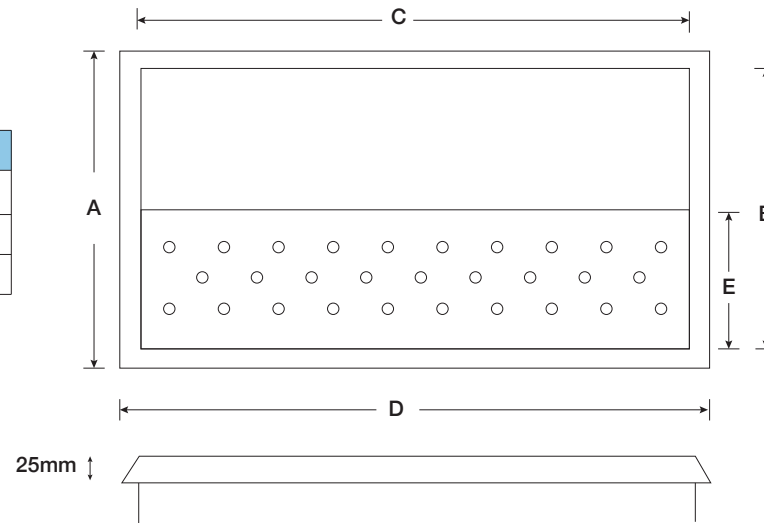


2. Shaped drip tray - removable



3. Pressed Plinth drip tray

| T-Font | Drip Tray | A | B | C | D | E |
|---------|-----------|-------|-------|-------|-------|-------|
| 3-4 Way | 405 x 330 | 408mm | 330mm | 405mm | 485mm | 180mm |
| 4-5 Way | 550 x 330 | 408mm | 330mm | 550mm | 630mm | 180mm |
| 6 Way | 750 x 330 | 408mm | 330mm | 750mm | 830mm | 180mm |



Please Note:

- Items 1 and 2 are suitable for 2-way and 3-way Gemma and T-fonts fonts only (cannot be used for fully flooded T-fonts)
- Item 3 must be used for all flooded T-fonts

Contact Details
Vestal Water Pty Ltd

1800 VESTAL Email: info@vestalwater.com
1800 837 825 Website: www.vestalwater.com

