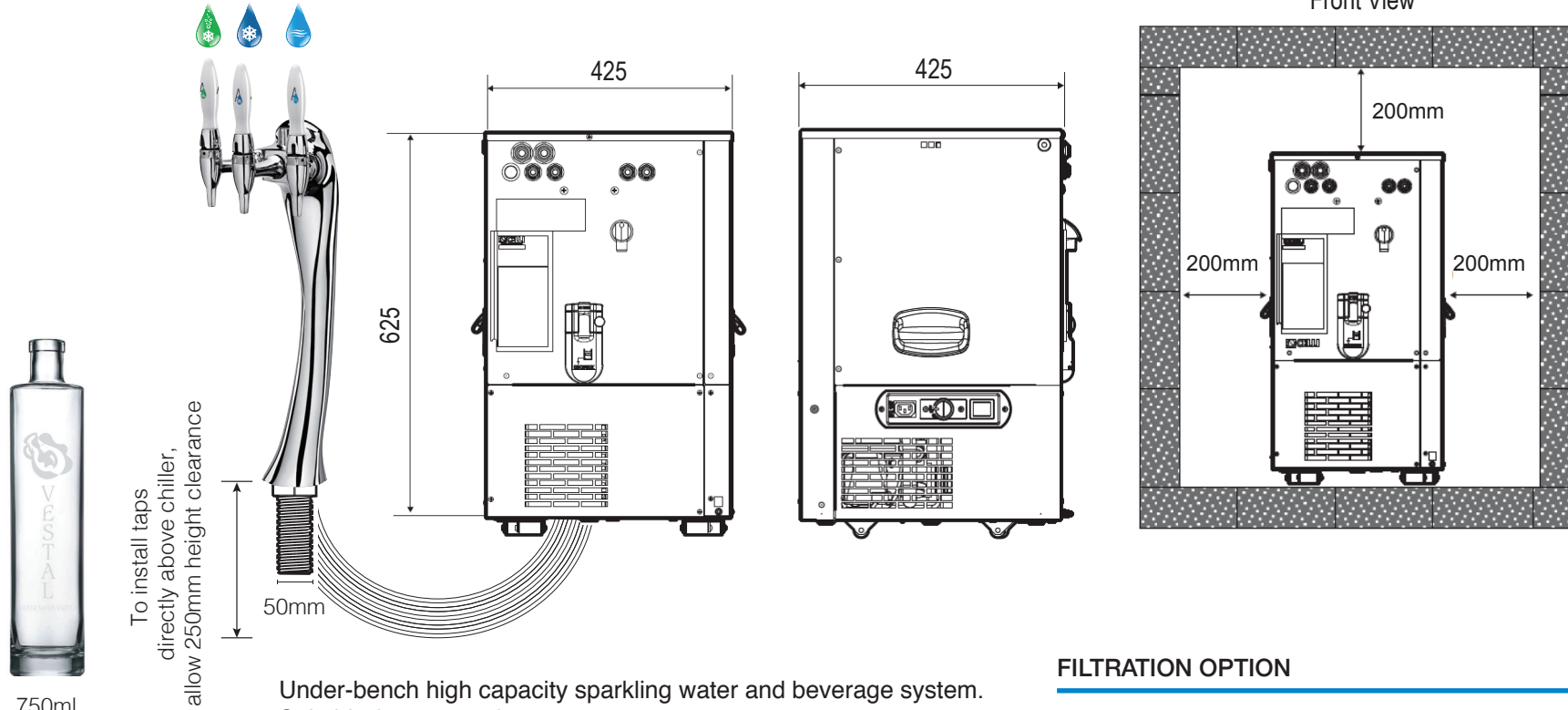


Vestal V120 Specification Sheet

Under bench

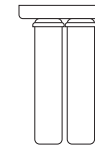
Front View



Under-bench high capacity sparkling water and beverage system.
 Suitable for venues from 80-150 seats.
 Can be supplied to dispense:

- Filtered chilled still and sparkling water
- Up to 3 additional beverages (max 1 beer)

FILTRATION OPTION



Cafe Twin
 400mm (H)
 250mm (W)
 150mm (D)

- Single Sub Micron high capacity filter (90,000 litres)
- Bespoke filtration available on request

NOTES

- Chiller box requires a 200mm air gap all round. For tight spaces, optional auxiliary fans are available.
- A potable cold water supply and 10amp 240V GPO (on a dedicated circuit) must be within 1 metre of the chiller box.
- CO₂ cylinders are not supplied by Vestal and must be obtained separately, minimum 6kg or 10kg Food Grade CO₂.

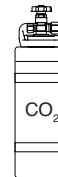
Technical Data

Power: 230V - 50Hz 10amp
 Chilling Capacity: 120 litres per hour



AU/NZ Watermark Certified

Note: if system is to be installed in an enclosed cupboard 60-80% of the door needs to be ventilated. If this is not possible a minimum of 30% must be ventilated plus an auxiliary fan installed.



• CO₂ supply / bottle (10kg)
 750mm X 220mm

Contact Details Vestal Water Pty Ltd

1800 VESTAL Email: info@vestalwater.com
 1800 837 825 Website: www.vestalwater.com

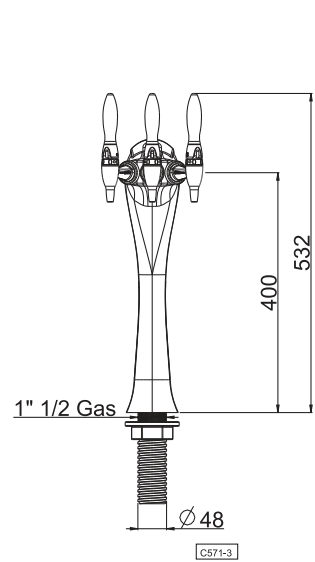
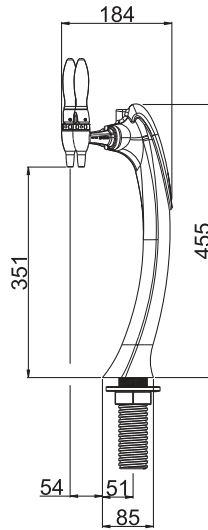
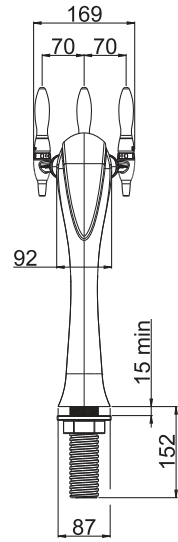


Vestal V120 Specification Sheet

Gemma Font and Taps

(SC4 taps also available with font)

1 2 3



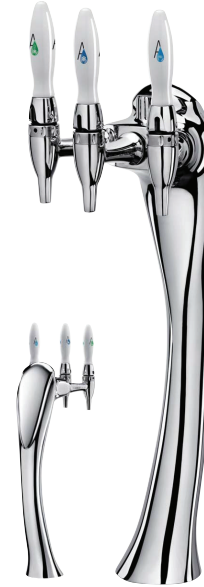
Still water at ambient temperature



Chilled still water



Chilled sparkling water



Custom wooden tap handle selector:



Tas Oak

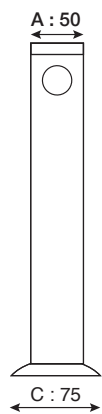


Blackheart Sassafras

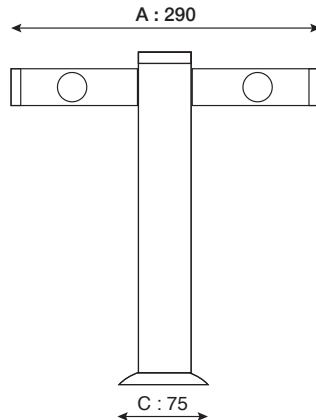


Tasmanian Blackwood

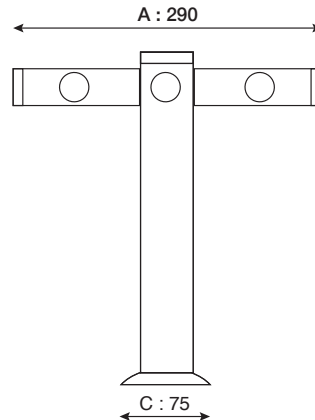
T-Font



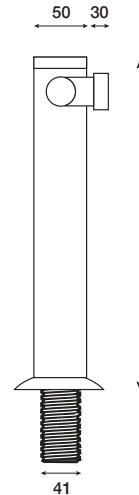
1 way



2 way



3 way



Side View

* Up to 6-way fonts available on request

4 way

A : 405
B : 290/410
C : 75

5 way

A : 520
B : 290/410
C : 75

6 way

A : 635
B : 290/410
C : 75

T Fonts Standard Colour Options*:



Chrome



Antique Bronze



Brass

* Custom colours are available upon request.

Contact Details Vestal Water Pty Ltd

1800 VESTAL
1800 837 825

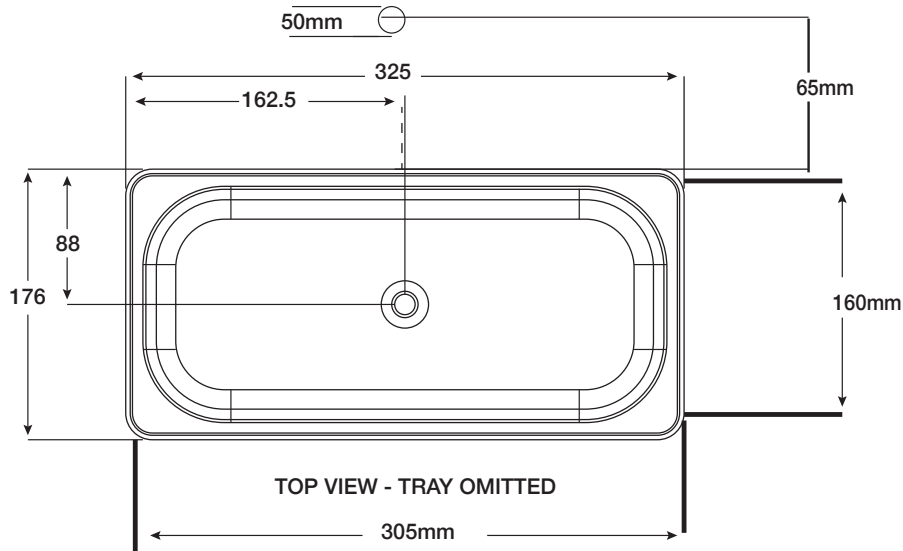
Email: info@vestalwater.com
Website: www.vestalwater.com



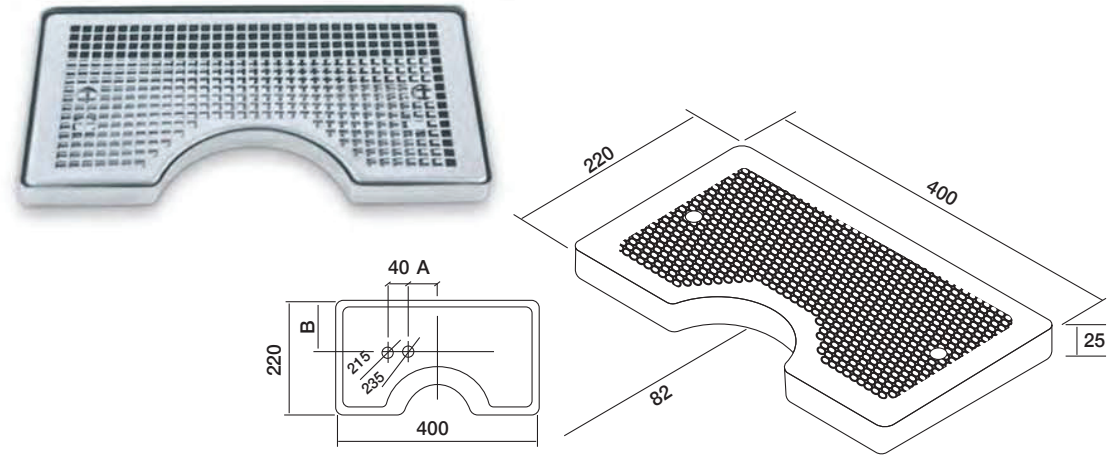
Vestal V120 Specification Sheet

Drip Tray Options

1. Raised plumbed drip tray - mesh

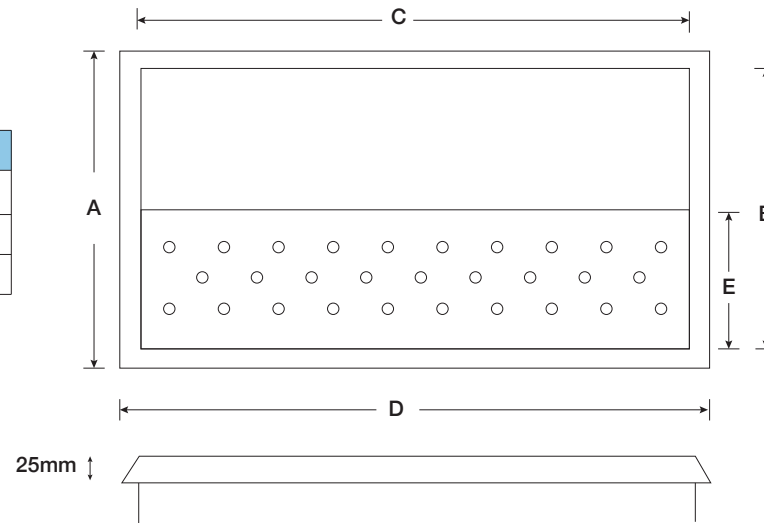


2. Shaped drip tray - removable



3. Pressed Plinth drip tray

T-Font	Drip Tray	A	B	C	D	E
3-4 Way	405 x 330	408mm	330mm	405mm	485mm	180mm
4-5 Way	550 x 330	408mm	330mm	550mm	630mm	180mm
6 Way	750 x 330	408mm	330mm	750mm	830mm	180mm



Please Note:

- Items 1 and 2 are suitable for 2-way and 3-way Gemma and T-fonts fonts only (cannot be used for fully flooded T-fonts)
- Item 3 must be used for all flooded T-fonts

Contact Details
Vestal Water Pty Ltd

1800 VESTAL Email: info@vestalwater.com
1800 837 825 Website: www.vestalwater.com

